

About This Product

The MUSTEE 22" x 25" molded fiberglass self-rimming utility sink features a semigloss finish that coordinates seamlessly with other elements of your home décor. Its molded fiberglass construction offers sturdiness over time, while the finish also resists rust and staining to prolong the beauty and functionality of your sink. The self-rimming design helps keep water and other materials inside the sink to prevent messes.



Mustee



Mustee with Legs

Product Highlights

- Includes a rear ledge that provides space for a spray attachment (sold separately)
- 1-1/2 in. drain assembly with stopper
- Accommodates single or dual-handle faucets with 4 in. or 8 in. centers
- Connects to a standard 1-1/2 in. P-trap
- 13-3/4 in. deep bowl for your convenience
- Self-rimming and easy to install
- 1-year limited manufacturer warranty
- Warnock Hersey Listed
- IAPMO Listed



MUSTEE

14 UTILATUB® Floor Mount Laundry/Utility Tubs — Economy

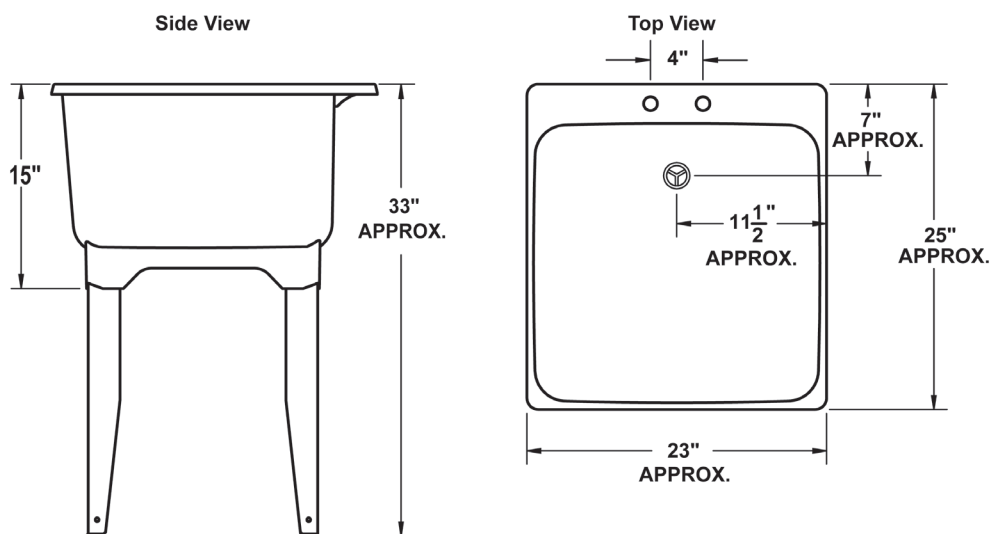


Design features:

- One piece molded construction, using Mustee's Co-Polypure™ resin
- 20 Gallon capacity, extra deep 13" tub with smooth surface
- Leakproof, integrally molded-in drain with stopper
- Connects to standard 1-1/2" P or S trap
- Accommodates dual-handle faucet with 4" center
- Includes finished steel legs with adjustable levelers
- Mold and mildew-resistant components
- Easy to assemble and install
- Color-fast white finish

Specifications

| Colors & Models: | Model | Mounting | H x W x D | UPC |
|------------------|-------|----------|-----------------|-----------------|
| White | 14 | Floor | 33" x 23" x 25" | 6 71031 00011 8 |



General: Furnish and install as shown on plans, UTILATUB® Laundry/Utility Tub model 14, as manufactured by E.L. Mustee & Sons, Inc. Tub shall be one-piece molded construction using Co-Polypure™ resin with matched metal molds under extreme heat and pressure. Tub to include integrally molded drain assembly for connection to standard 1-1/2" P or S-trap, stopper and finished steel legs with built-in levelers. 20 gallon capacity tub, 13" deep. Shall meet ANSI Z 124-2011. Color: White. Weight: 16 lbs.



MUSTEE

E.L. Mustee & Sons, Inc. • 5431 West 164th Street • Brook Park, OH 44142 • Phone: 216.267.3100 • Fax: 216.267.9997
E-mail: info@mustee.com • Web: www.mustee.com • Proudly made in the USA

Notice: Our continuous commitment to product improvement may result in changes to product specifications without notice. Patents pending. Made and Printed in U.S.A.